

MB - S

VERY PRECISE FOR SMALL JOBS!

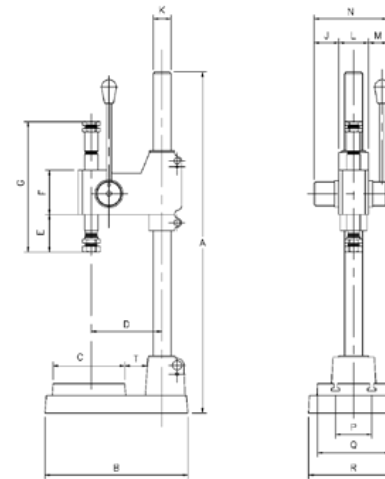
Manual rack activation presses.

Ideal for riveting, inserting, bending, caulking.
Manual activation of the rack by a lever.

Maximum sensitivity and precision with strict rack adjustment.



	MB15S	MB20S	MB32S
Dimension (mm)	132x450x210	205x750x309	280x850x443
Adjustable power (kg / kN)	50/0,5	70/0,7	90/0,9
Item maximum height (mm)	265	385	460
Weight (kg)	10	33	99
Cava a T (mm)	6	10	12
Shank diameter (mm)	dia 13	dia 27	dia 27
Rack stroke (mm)	27	65	100
Usable stroke (mm)	27	65	100



	MB15S	MB20S	MB32S
A	450	750	850
B	210	309	443
C	100	160	220
D	112	160	230
E	40	60	60
F	59	102	180
G	155	250	430
K	30	42	70
J	29	57,5	66,5
L	48	66	106
M	32	42,5	61,5
N	109	166	234
P	50	80	120
Q	100	160	220
R	132	205	280
T	38	45	70

Measures in mm